

DESCRIPTION

The JWH5085A is a monolithic buck switching regulator based on I2 architecture for fast transient response. Operating with an input range of 2.7V~16V, JWH5085A delivers 12A of continuous output current with two integrated N-Channel MOSFETs. The internal synchronous power switches provide high efficiency without the use of an external Schottky diode. The operation frequency is set easily to 700 kHz, 800 kHz, or 1000 kHz with the MODE configuration, allowing the JWH5085A frequency to remain constant regardless of the input and output voltages. JWH5085A guarantees robustness with output short protection, over-voltage protection, thermal protection and under voltage protection.

JWH5085A is available in QFN3X4-21 package, which provides a compact solution with minimal external components.

Company's Logo is Protected, "JW" and "JOULWATT" are Registered Trademarks of Joulwatt Technology Co., Ltd.

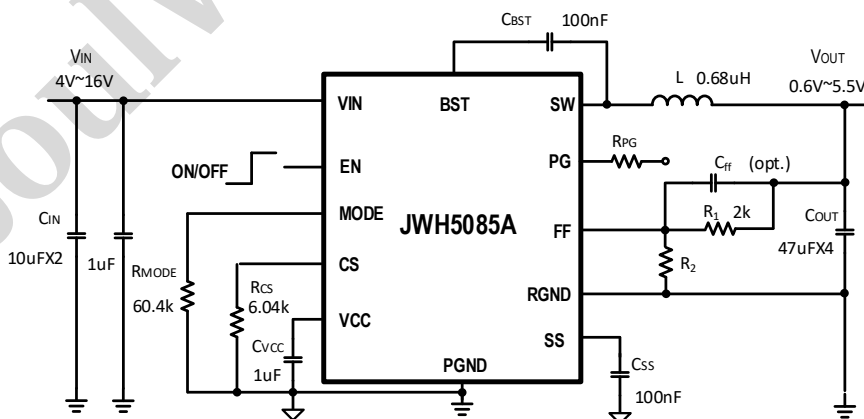
FEATURES

- 2.7V to 16V Operating Input Range with External 3.3V VCC Bias
- 4V to 16V Operating Input Range with Internal Bias or External 3.3V VCC Bias
- 12A output current
- Differential Output Voltage Remote Sense
- Programmable Accurate Current Limit Level
- $\pm 0.5\%$ Reference Voltage over 0°C to $+70^{\circ}\text{C}$ Junction Temperature Range
- FCCM Operation Mode
- Power Good Indicator
- Programmable Soft-Start Time
- Selectable Switching Frequency from 700kHz, 800kHz, and 1000kHz
- Output Discharge Function
- Non-Latch OCP, UVP, OVP, UVLO
- Thermal Protection
- Available in QFN3X4-21 Package

APPLICATIONS

- Telecom and Networking Systems
- Server, Cloud-Computing, Storage
- Base Stations
- General Purpose Point-of-Load

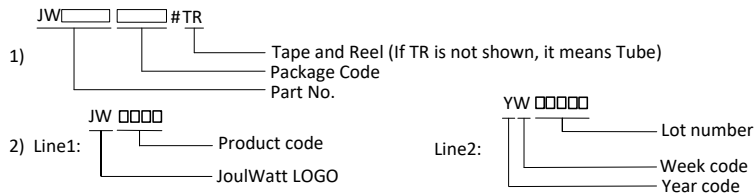
TYPICAL APPLICATION



ORDER INFORMATION

DEVICE ¹⁾	PACKAGE	TOP MARKING ²⁾	ENVIRONMENTAL ³⁾
JWH5085AQFNAG#TR	QFN3X4-21	JWH5085A YW□□□□□	Green

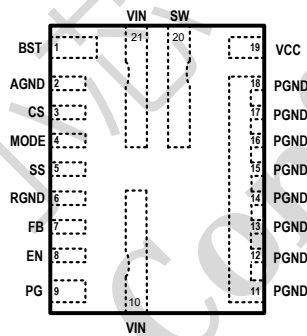
Notes:



3) All JoulWatt products are packaged with Pb-free and Halogen-free materials and compliant to RoHS standards.

PIN CONFIGURATION

TOP VIEW



PIN DESCRIPTION

PIN	NAME	DESCRIPTION
1	BST	Connect a 0.1uF capacitor between BST and SW pin to supply current for the top switch driver.
2	AGND	Analog ground pin. Select AGND as the control circuit reference point.
3	CS	Current limit. Connect a resistor to AGND to set the current limit trip point.
4	MODE	Frequency selection. Program MODE to select the operating switching frequency.
5	SS	Soft-start time setting pin. The soft-start time is determined by the capacitance between SS pin and AGND.
6	RGND	Differential remote sense negative input. Connect this pin directly to the negative side of the voltage sense point. Short to GND if remote sense is not used.
7	FB	Feedback (Differential remote sense positive input). An external resistor divider from the output to RGND (tapped to FB) sets the output voltage. It is recommended to place the resistor divider as close to FB as possible. Vias should be avoided on the FB traces.
8	EN	Enable control pin. Pull this pin high to turn on the regulator. Do not leave this pin floating.
9	PG	Power good monitor output. Open drain output when the output voltage is within 92.5% to 118% of internal reference voltage.
10, 21	VIN	Input voltage pin. VIN supplies power to the IC. Connect a 4V to 16V supply to VIN and bypass VIN to GND with a suitably large capacitor to eliminate noise on the input to the IC.
11-18	PGND	Power ground pin
19	VCC	Internal 3.2V LDO output. Power supply for internal analog circuits and driving circuit. Decouple this pin to ground with a minimum 1uF ceramic capacitor.
20	SW	SW is the switching node that supplies power to the output. Connect the output LC filter from SW to the output load.

IMPORTANT NOTICE

- Joulwatt Technology Co.,Ltd reserves the right to make modifications, enhancements, improvements, corrections or other changes without further notice to this document and any product described herein.
- Any unauthorized redistribution or copy of this document for any purpose is strictly forbidden.
- Joulwatt Technology Co.,Ltd does not warrant or accept any liability whatsoever in respect of any products purchased through unauthorized sales channel.
- JOULWATT TECHNOLOGY CO.,LTD PROVIDES TECHNICAL AND RELIABILITY DATA (INCLUDING DATASHEETS), DESIGN RESOURCES (INCLUDING REFERENCE DESIGNS), APPLICATION OR OTHER DESIGN ADVICE, SAFETY INFORMATION AND OTHER RESOURCES, AND DISCLAIMS ALL WARRANTIES, EXPRESS AND IMPLIED, INCLUDING WITHOUT LIMITATION ANY IMPLIED WARRANTIES OF MERCHANTABILITY, FITNESS FOR A PARTICULAR PURPOSE OR NON-INFRINGEMENT OF THIRD PARTY INTELLECTUAL PROPERTY RIGHTS.

Copyright © 2022 JoulWatt

All rights are reserved by Joulwatt Technology Co.,Ltd