

THIS DRAWING IS UNPUBLISHED.

RELEASED FOR PUBLICATION

,19 .

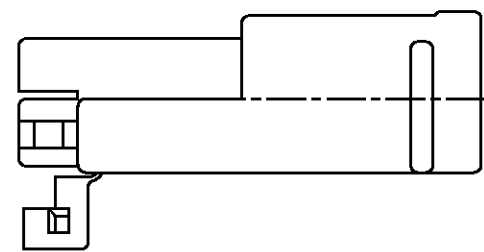
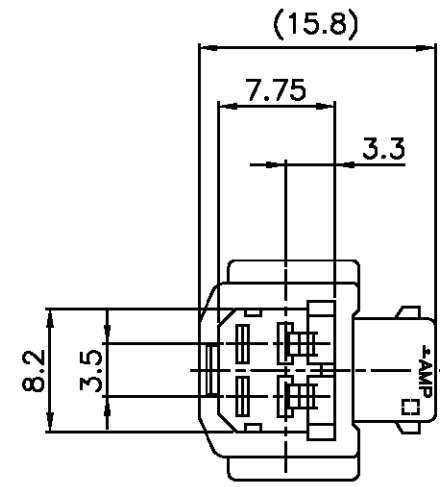
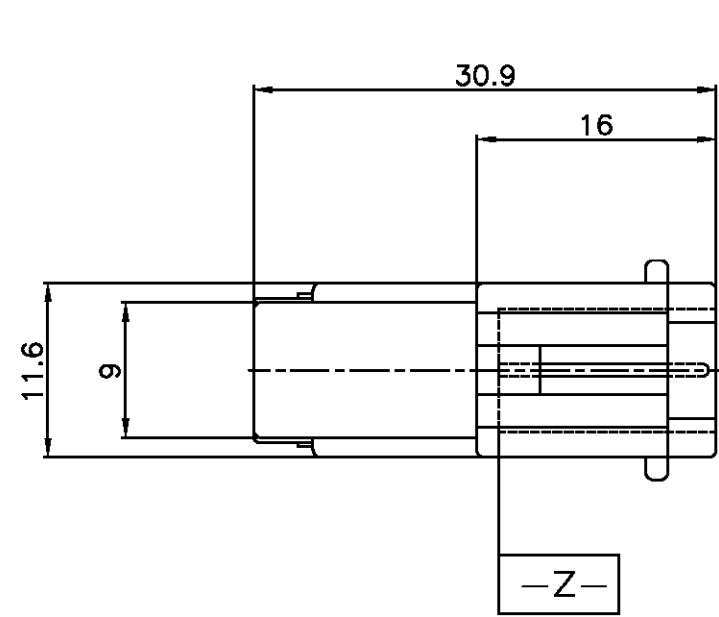
© COPYRIGHT 19

BY AMP INCORPORATED. ALL RIGHTS RESERVED.

LOC DS DIST

REVISIONS

P	LTR	DESCRIPTION	DATE	DWN	APVD
	0	RELEASED(FC00-0002-00)	04,JAN,00	HS	CS
	A	REVISED(FC00-0050-01)	11,MAY,01	MS	CS



NOTES

- ① MUST BE KEPT FROM AND 2.
- 2, THE MATING PLUG HOUSING PART NUMBER: 368538.
- 3, APPLIED TAB CONTACT P/N: 173645.

①	368545-3	BLACK
	368545-1	NATURAL
	P/N	COLOR

THIS DRAWING IS A CONTROLLED DOCUMENT FOR AMP INCORPORATED. IT IS SUBJECT TO CHANGE AND THE CONTROLLING ENGINEERING ORGANIZATION SHOULD BE CONTACTED FOR THE LATEST REVISION.

DIMENSIONS: MM		TOLERANCES UNLESS OTHERWISE SPECIFIED: 0 <XX<10 ± 0.2 10 <XX<30 ± 0.25 30 <XX ± 0.3 ANGLES ± 3°		DWN MS HER		AMP AMP KOREA. kyungsan, korea	
3rd ANGLE PROJECTION		MATERIAL P.B.T		FINISH ---			
APVD CS LEE		PRODUCT SPEC ---		APPLICATION SPEC ---		SIZE A3	
WEIGHT ---		CAGE CODE 00779		DRAWING NO 368545		SCALE 2/1	
		SHEET 1 OF 1		REV A			

Mouser Electronics

Authorized Distributor

Click to View Pricing, Inventory, Delivery & Lifecycle Information:

[TE Connectivity:](#)

[368545-1](#)