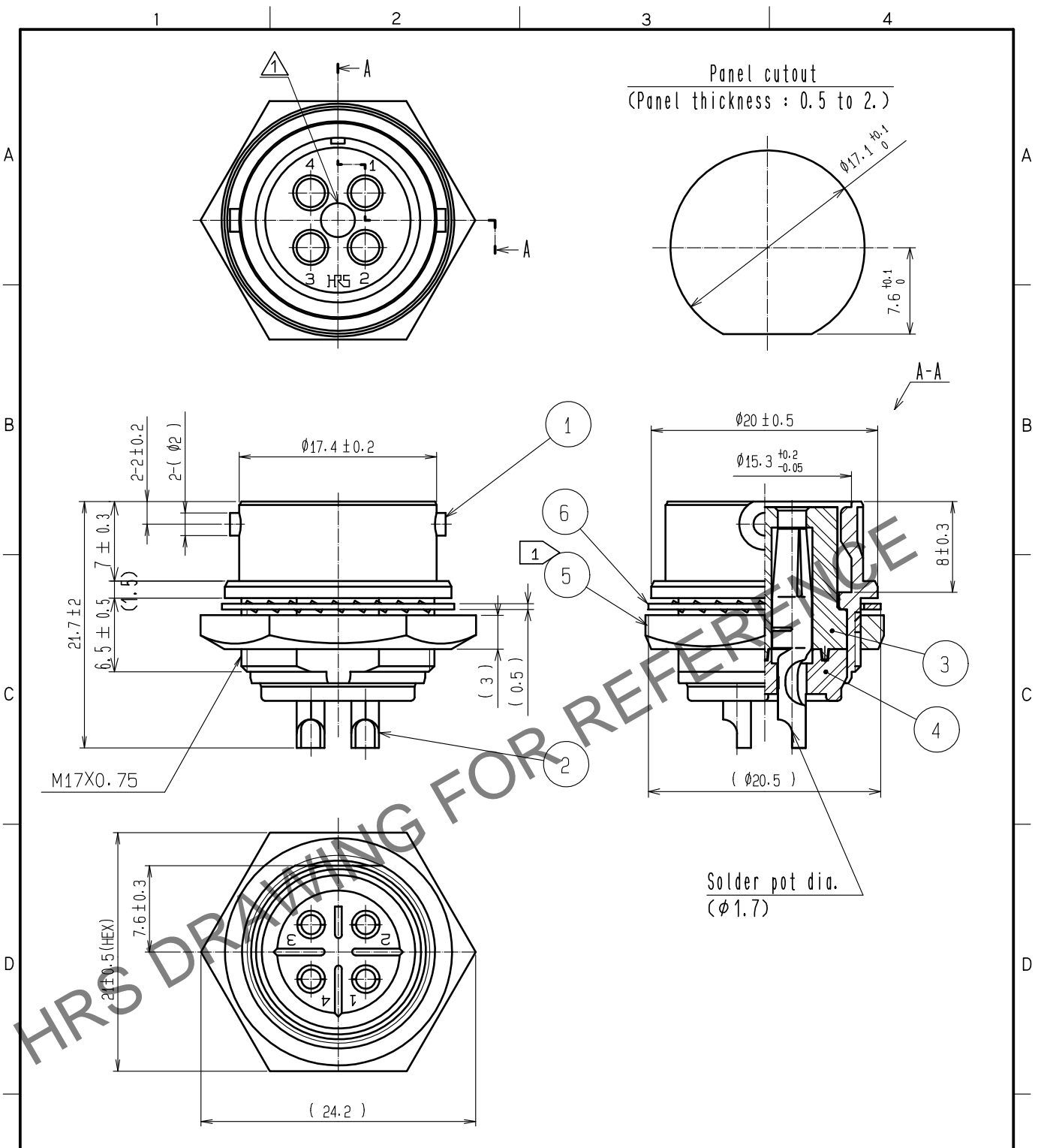


Apr.1.2026 Copyright 2026 HIROSE ELECTRIC CO., LTD. All Rights Reserved.
 In case of consideration for using Automotive equipment / device which demand high reliability, kindly contact our sales window correspondents.



3	PPS	(BLACK)	UL94V-0	6	PHOSPHOR BRONZE	NICKEL PLATING		
2	COPPER ALLOY	SILVER PLATING	2 μm min.	5	BRASS	NICKEL PLATING		
1	BRASS	NICKEL PLATING		4	PPS	(BLACK) UL94V-0		
NO.	MATERIAL	FINISH	REMARKS	NO.	MATERIAL	FINISH	REMARKS	
UNITS		SCALE	COUNT	DESCRIPTION OF REVISIONS		DESIGNED	CHECKED	DATE
mm		2 : 1	1	DIS-C-00000841		KN. IKEHARA	HY. KOBAYASHI	16.03.02
HIROSE ELECTRIC CO., LTD.	APPROVED	·HY. KOBAYASHI	15.11.06	DRAWING NO.	EDC-027470-81-00			
	CHECKED	·HY. KOBAYASHI	15.11.06	PART NO.	RM15QRD-4SA(81)			
	DESIGNED	·KN. IKEHARA	15.11.06	CODE NO.	CL109-0842-2-81			
	DRAWN	·KN. IKEHARA	15.11.06					