

61082- AA B C D E W G V FF

|   |                             |
|---|-----------------------------|
| V | MANDATORY CODE              |
| / | STANDARD, NOT MANDATORY P/N |
| C | ONLY FOR DEDICATED CUSTOMER |
| H | ONLY FOR DEDICATED CUSTOMER |
| L | ONLY FOR DEDICATED CUSTOMER |
| V | ONLY FOR DEDICATED CUSTOMER |

|   |                     |
|---|---------------------|
| G | DATE CODE           |
| / | NOT PRINT DATE CODE |
| P | PRINT DATE CODE     |

|   |                    |
|---|--------------------|
| W | TRANSPORT CODE     |
| / | NOT MANDATORY      |
| W | FOR OCEAN SHIPPING |

|   |  |
|---|--|
| E | PACKAGING                                |
| 0 | TUBE WITHOUT METAL CAP                   |
| 2 | T&R WITH METAL CAP                       |
| 9 | TUBE WITH METAL CAP                      |
| 6 | T&R WITHOUT METAL CAP (WITH KAPTON TAPE) |
| Q | T&R WITHOUT CAP                          |
| T | TRAY WITH METAL CAP                      |

NOTE 10  
NOTE 10  
NOTE 11

| AA | POSITION |
|----|----------|
| 02 | 2X10     |
| 04 | 2X20     |
| 06 | 2X30     |
| 08 | 2X40     |
| 10 | 2X50     |
| 12 | 2X60     |
| 14 | 2X70     |
| 16 | 2X80     |
| 18 | 2X90     |
| 20 | 2X100    |

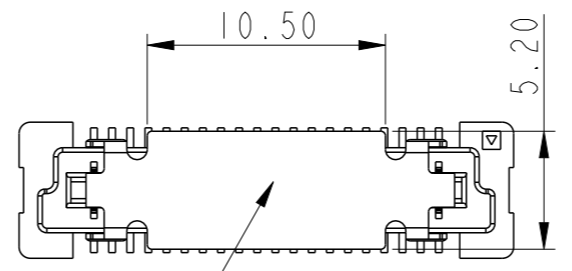
NOTE 10

| B                           | FOR PLUG, SEE DWG. NO. 61083 |        |        |        |
|-----------------------------|------------------------------|--------|--------|--------|
| COMBINATION OF MATED HEIGHT | Plug 1                       | Plug 2 | Plug 3 | Plug 4 |
| Recep 1                     |                              |        |        |        |
| Recep 2                     |                              |        |        |        |
| Recep 3                     |                              |        |        |        |
| Recep 4                     |                              |        |        |        |

| POLARIZATION PEG | D |
|------------------|---|
| YES              | 0 |
| NO               | 2 |

|   |  |      |
|---|--|------|
| C | PLATING ON CONTACT AREA/ SOLDER TAIL   | FF   |
| 0 | GOLD 0.2um MIN / TIN LEAD  | NONE |
| 1 | GOLD FLASH (0.065um MIN) OVER PALLADIUM-NICKEL 0.69um MIN / TIN LEAD                     | NONE |
| 4 | GOLD 0.2um MIN / PURE TIN 2um MIN (LEAD FREE)  | LF   |
| 5 | GOLD 0.38um MIN / PURE TIN 2um MIN (LEAD FREE)   | LF   |
| 6 | GOLD FLASH (0.065um MIN) OVER PALLADIUM-NICKEL 0.69um MIN / PURE TIN 2um MIN (LEAD FREE) | LF   |
| 7 | GOLD 0.76um MIN /PURE TIN 2um MIN(LEAD FREE)   | LF   |
| B | GOLD 1.27um MIN /GOLD 0.05~0.25um(LEAD FREE)   | LF   |
| C | GOLD 1.27um MIN /PURE TIN 2um MIN(LEAD FREE)   | LF   |
| D | GOLD 0.38um MIN /GOLD FLASH(LEAD FREE)   | LF   |

- NOTE:
- MATERIAL:  
HOUSING: G.F. LCP, NATURAL, UL94-V0, MSL LEVEL 1  
TERMINAL: NICKEL COPPER
  - PLATING: AS SHOWN IN TABLE. NICKEL UNDERPLATE OVERALL 1.27um MIN.
  - SEE GS-12-547 FOR PRODUCT SPEC.
  - PACKAGING OPTION 2: NOT ALL SIZES ARE AVAILABLE. CHECK WITH FACTORY.
  - THIS PRODUCT MEETS THE EUROPEAN UNION DIRECTIVES AND OTHER COUNTRY REGULATIONS AS DESCRIBED IN GS-22-008.
  - THE HOUSING WILL WITHSTAND EXPOSURE UP TO 260~ PEAK TEMPERATURE FOR 30 SECONDS IN A CONVECTION, INFRA-RED OR VAPOR PHASE REFLOW OVEN.
  - PLATING OPTION "4" IS LEADFREE ALTERNATIVE FOR OPTION "0", AND OPTION "6" IS LEADFREE ALTERNATIVE FOR OPTION "1".
  - HIGH PRECISION COPLANARITY IS AVAILABLE FOR 2X80 TO 2X100 POS, ALL HEIGHTS. PLS REFER TO PRINT 10069525.
  - THE P/N 61082-\*\*\*\*\* OR 61082-\*\*\*\*\*LF NOT PRINT DATE CODE. THE P/N 61082-\*\*\*\*\*P OR 61082-\*\*\*\*\*PLF NEED PRINT DATE CODE.
  - PACKAGING WITH METAL CAP DOES NOT APPLY TO 2X10 POSITION.
  - PACKAGING OPTION "TRAY WITH METAL CAP" ONLY APPLY TO RECEPTACLE 200P.



METAL CAP

|                     |                                       |                |              |                |       |                  |               |                        |              |                |
|---------------------|---------------------------------------|----------------|--------------|----------------|-------|------------------|---------------|------------------------|--------------|----------------|
| spec ref            | dr                                    | Cheong, Matthe | 2009/06/10   | projection     | MM    | size             | A3            | scale                  | 3:1          |                |
| tolerance std       | eng                                   | Alan Ni        | 2025/03/18   |                | ← →   | ecn no           | ELX-N-54701-1 | rel level              | Released     |                |
| ISO 406<br>ISO 1101 | chr                                   | Li-Qing Lei    | 2025/03/27   |                |       |                  |               |                        |              | product family |
| surface             | appr                                  | Tim Yao        | 2025/03/27   | BERGSTAK 0.8MM |       | cat. no.         | -             | Product - Customer Drw | sheet 1 of 7 |                |
| ISO 1302            | TOLERANCES UNLESS OTHERWISE SPECIFIED |                | Amphenol FCI |                | title | RECEPTACLE ASS'Y |               | dwg no                 | 61082        |                |
| linear              | 0.X                                   | ±0.20          | www.fci.com  |                | rev   | AT               |               |                        |              |                |
| angular             | 0.XX                                  | ±0.15          |              |                |       |                  |               |                        |              |                |
|                     | 0.XXX                                 | ±0.10          |              |                |       |                  |               |                        |              |                |
|                     | 0°                                    | ±2°            |              |                |       |                  |               |                        |              |                |

Amphenol FCI

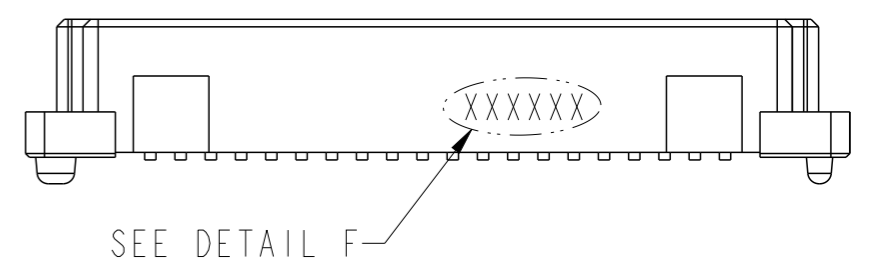
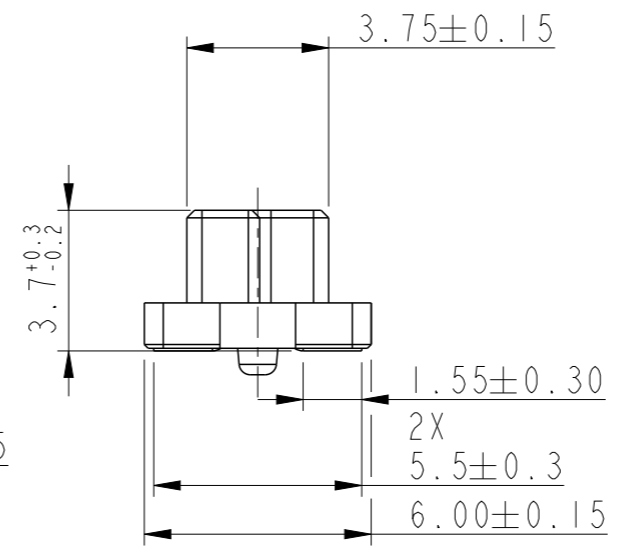
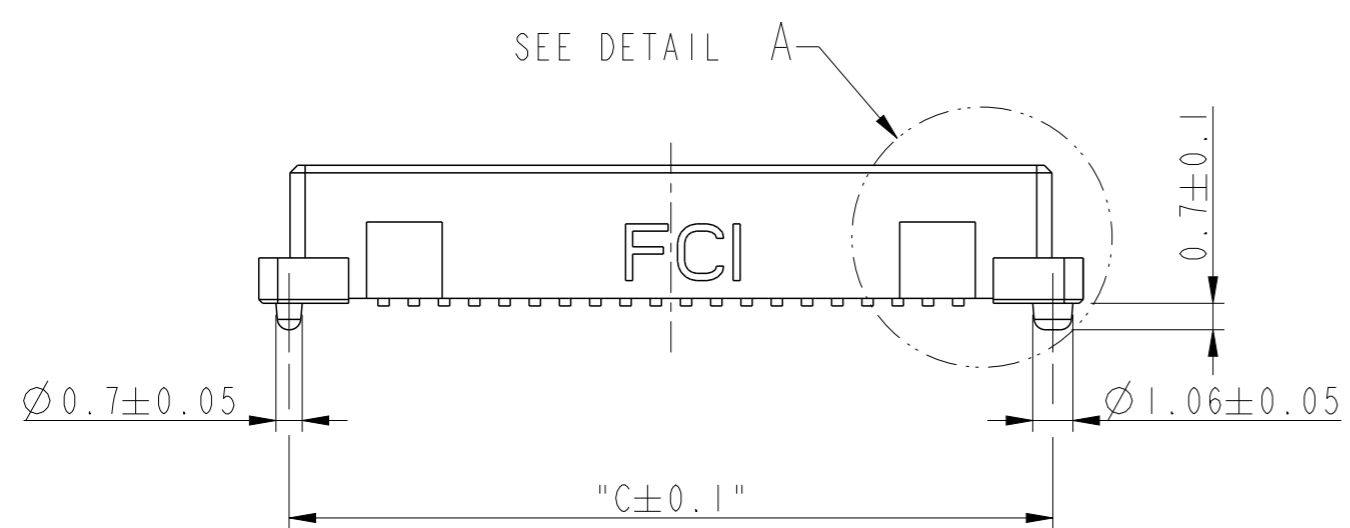
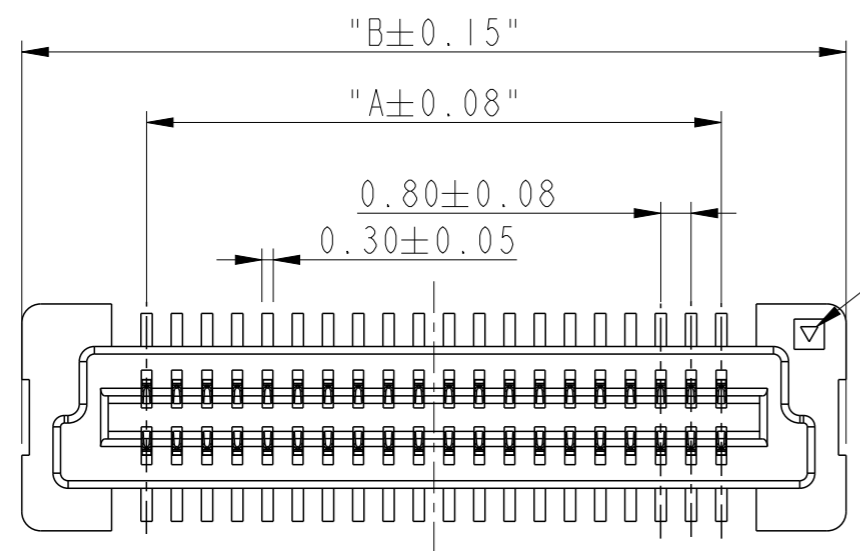
© 2020 Amphenol Corporation

| PRODUCT NO.  | NUMBER OF POSITIONS | DIMENSION |      |      |
|--------------|---------------------|-----------|------|------|
|              |                     | A         | B    | C    |
| 61082-021*** | 2X10                | 7.2       | 13.8 | 12.2 |
| 61082-041*** | 2X20                | 15.2      | 21.8 | 20.2 |
| 61082-061*** | 2X30                | 23.2      | 29.8 | 28.2 |
| 61082-081*** | 2X40                | 31.2      | 37.8 | 36.2 |
| 61082-101*** | 2X50                | 39.2      | 45.8 | 44.2 |
| 61082-121*** | 2X60                | 47.2      | 53.8 | 52.2 |
| 61082-141*** | 2X70                | 55.2      | 61.8 | 60.2 |
| 61082-161*** | 2X80                | 63.2      | 69.8 | 68.2 |
| 61082-181*** | 2X90                | 71.2      | 77.8 | 76.2 |
| 61082-201*** | 2X100               | 79.2      | 85.8 | 84.2 |

DATE CODE: XXXXXX  
 DAY(01~31)  
 MONTH(01~12)  
 YEAR(00~99)

DETAIL F

COPLANARITY OF TAIL:  
 0.1 MAX. APPLIED TO 2X10 TO 2X70 POS.  
 0.13 MAX APPLIED TO 2X80 TO 2X100 POS.  
 HIGH PRECISION COPLANARITY IS AVAILABLE FOR 2X80 TO 2X100 POS.  
 PLS REFER TO PRINT 10069524.  
 DETAIL A  
 SCALE 10:1

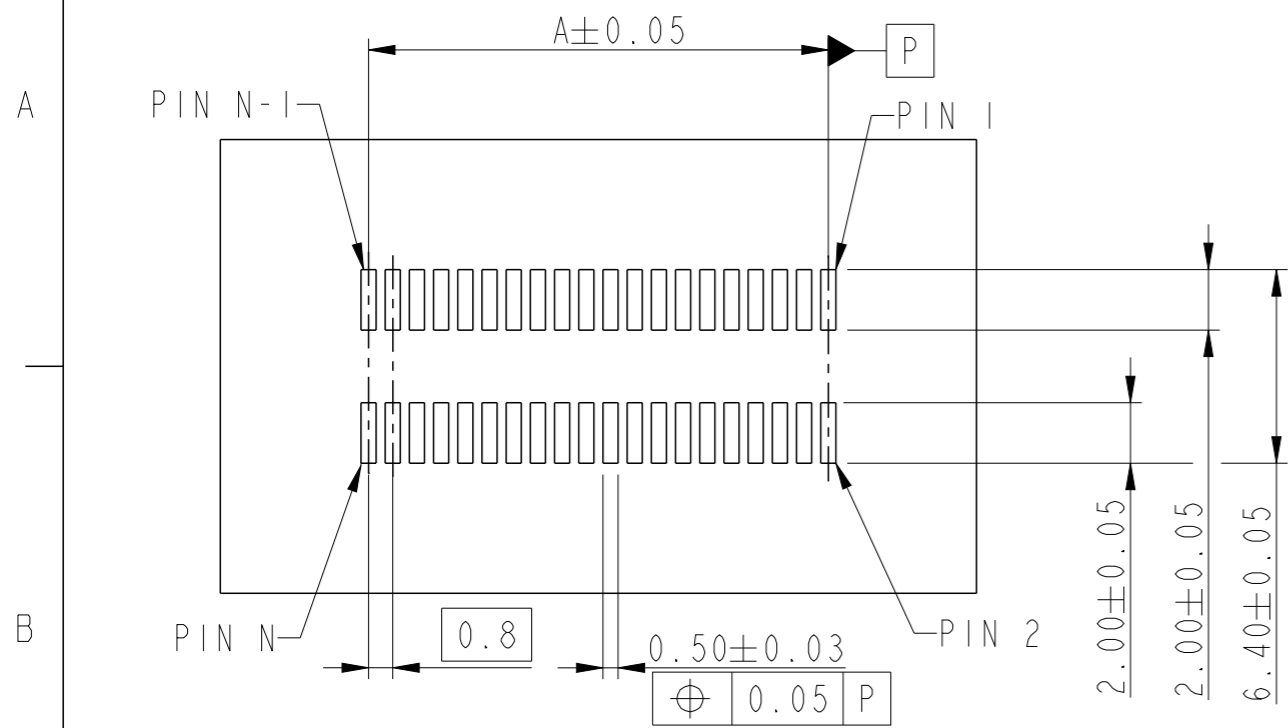


RECEPTACLE 1

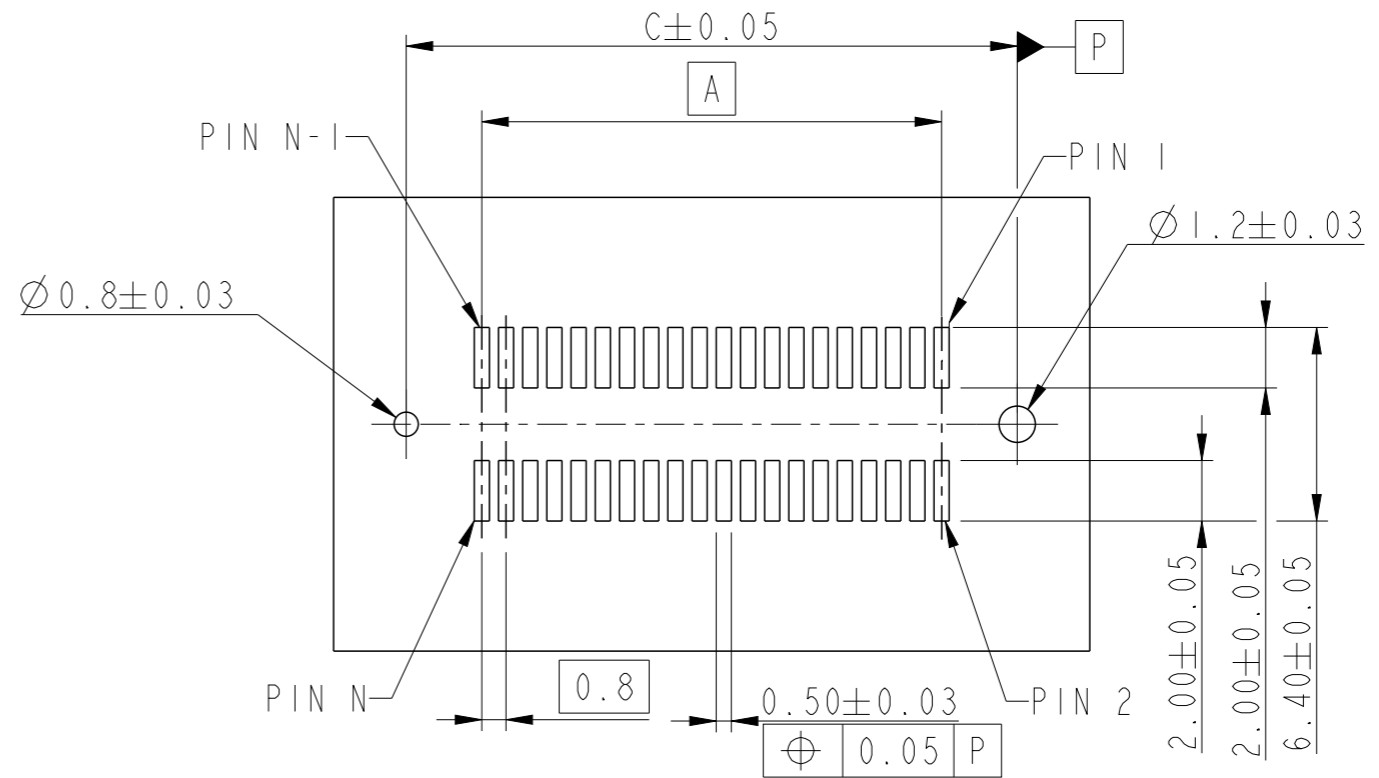
|              |                |                  |                |                        |                      |              |       |     |
|--------------|----------------|------------------|----------------|------------------------|----------------------|--------------|-------|-----|
| dr           | Cheong, Matthe | 2009/06/10       | projection     | MM                     | size                 | A3           | scale | 3:1 |
| eng          | Alan Ni        | 2025/03/18       |                |                        | ecn no ELX-N-54701-1 |              |       |     |
| chr          | Li-Qing Lei    | 2025/03/27       |                |                        | rel level Released   |              |       |     |
| appr         | Tim Yao        | 2025/03/27       | product family |                        |                      |              |       |     |
| Amphenol FCI |                | BERGSTAK 0.8MM   |                |                        | dwg no               |              | 61082 |     |
| www.fci.com  |                | RECEPTACLE ASS'Y |                |                        | rev                  |              | AT    |     |
| cat. no.     |                | -                |                | Product - Customer Drw |                      | sheet 2 of 7 |       |     |

Creo File:ELX-WC-A3C.REV F.2020-12-21

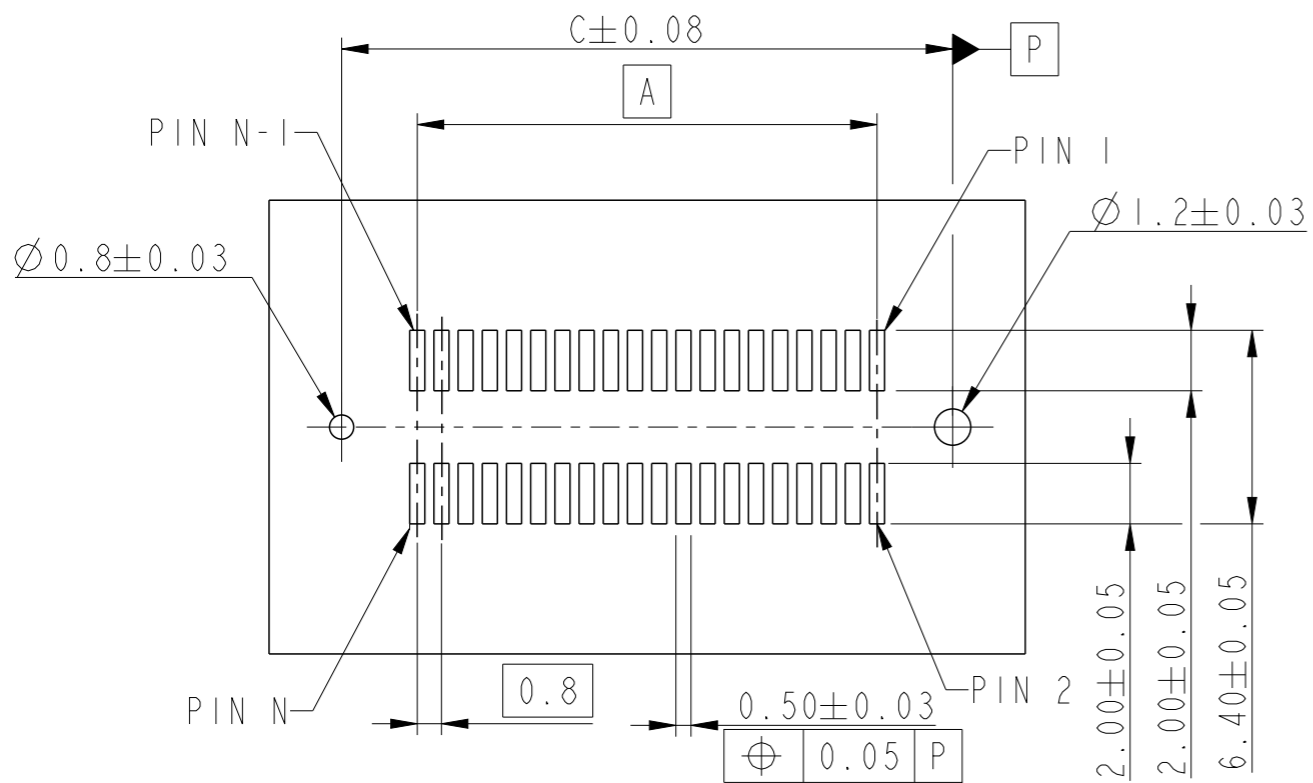
RECEPTACLE 1



RECOMMENDED PCB LAYOUT WITHOUT PEGS



RECOMMENDED PCB LAYOUT WITH PEGS  
FOR NO. OF POSITION 2X10, 2X20, 2X30, 2X40, 2X50, 2X60



RECOMMENDED PCB LAYOUT WITH PEGS  
FOR NO. OF POSITION 2X70, 2X80, 2X90, 2X100

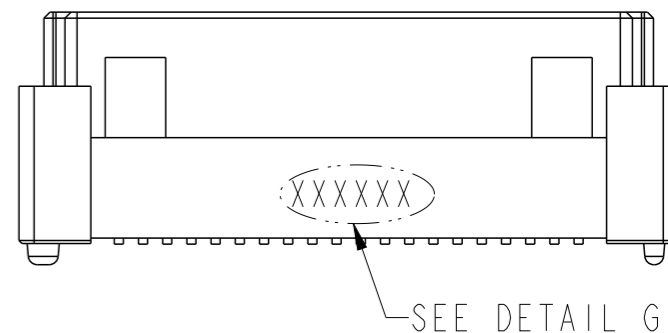
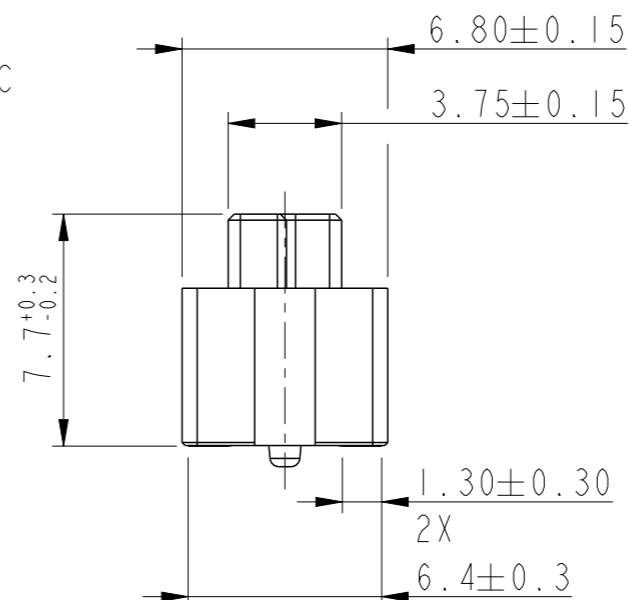
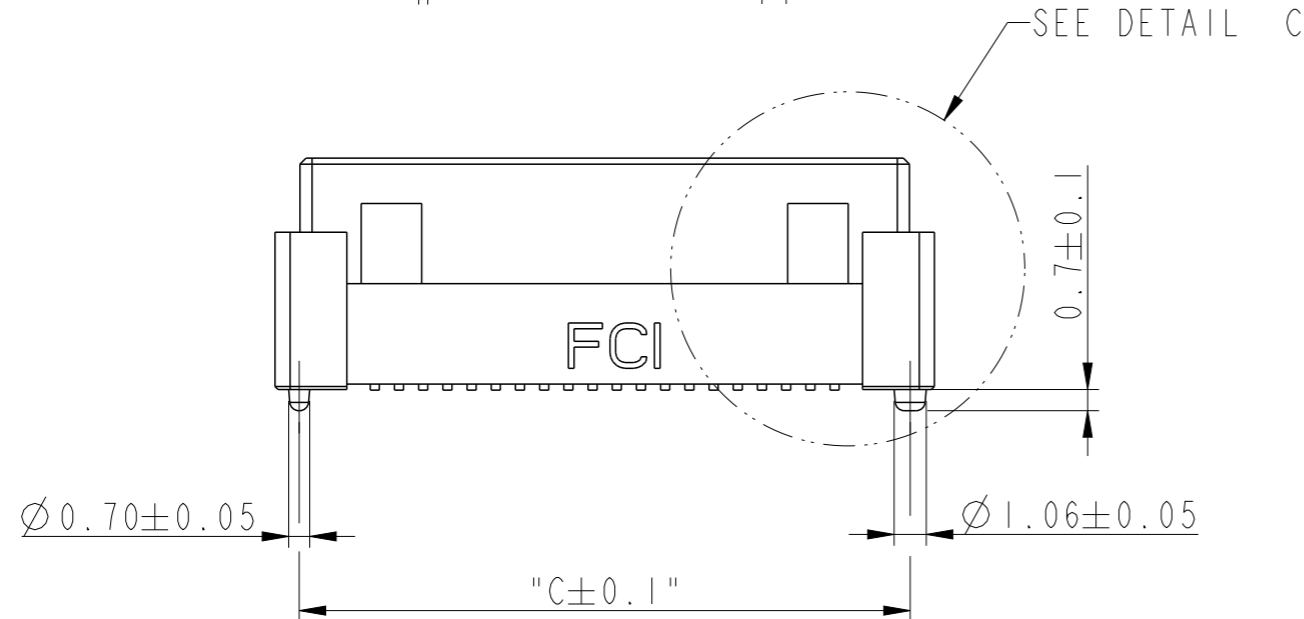
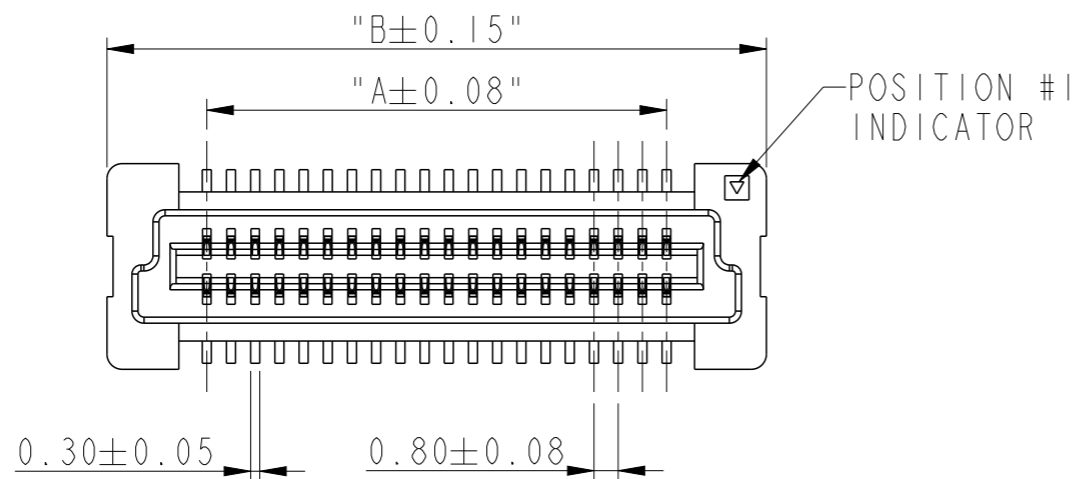
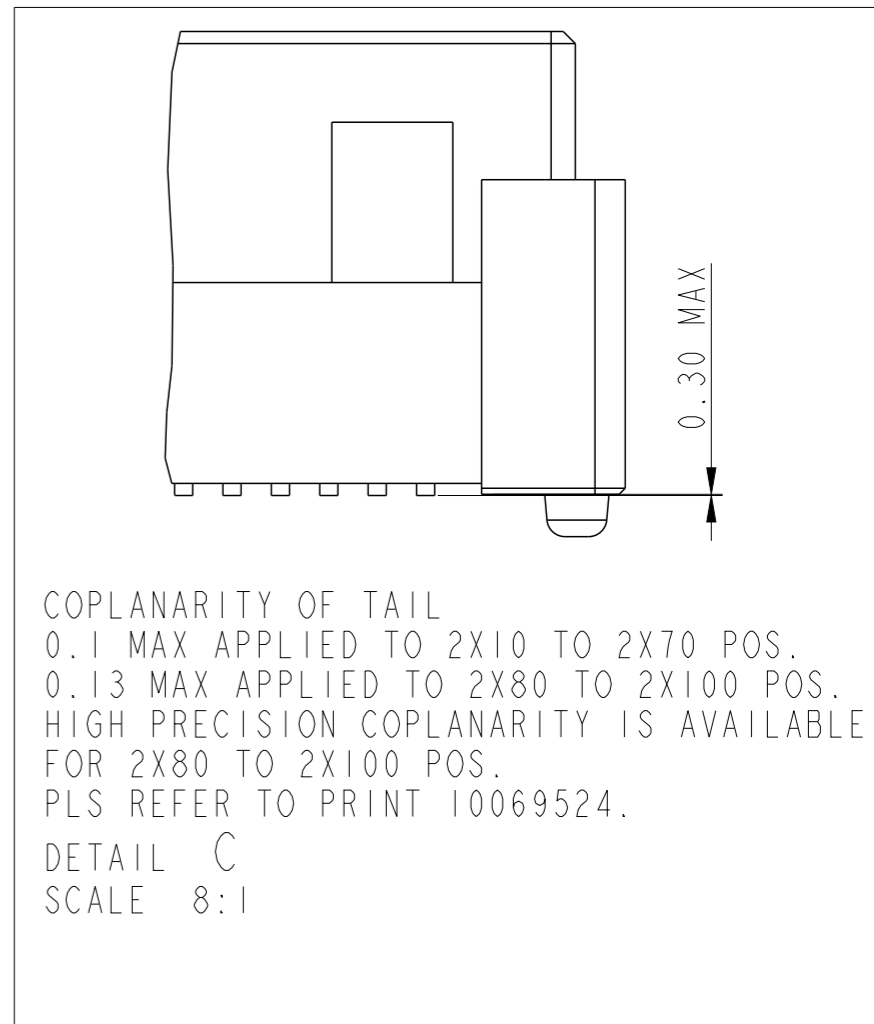
|                     |                |            |                                    |    |                       |           |                        |     |
|---------------------|----------------|------------|------------------------------------|----|-----------------------|-----------|------------------------|-----|
| dr                  | Cheong, Matthe | 2009/06/10 | projection                         | MM | size                  | A3        | scale                  | 3:1 |
| eng                 | Alan Ni        | 2025/03/18 |                                    |    | ecn no ELX-N-54701-1  |           |                        |     |
| chr                 | Li-Qing Lei    | 2025/03/27 |                                    |    | rel level Released    |           |                        |     |
| appr                | Tim Yao        | 2025/03/27 | product family                     |    |                       |           |                        |     |
| <b>Amphenol FCI</b> |                |            | BERGSTAK 0.8MM<br>RECEPTACLE ASS'Y |    | dwg no<br>61082       | rev<br>AT |                        |     |
| www.fci.com         |                |            | cat. no.                           |    | -                     |           | Product - Customer Drw |     |
|                     |                |            | 3                                  |    | PDS: Rev :AT          |           | STATUS:Released        |     |
|                     |                |            | 4                                  |    | Printed: Mar 27, 2025 |           | sheet 3 of 7           |     |

| PRODUCT NO.  | NUMBER OF POSITIONS | DIMENSION |      |      |
|--------------|---------------------|-----------|------|------|
|              |                     | A         | B    | C    |
| 61082-022*** | 2X10                | 7.2       | 13.8 | 12.2 |
| 61082-042*** | 2X20                | 15.2      | 21.8 | 20.2 |
| 61082-062*** | 2X30                | 23.2      | 29.8 | 28.2 |
| 61082-082*** | 2X40                | 31.2      | 37.8 | 36.2 |
| 61082-102*** | 2X50                | 39.2      | 45.8 | 44.2 |
| 61082-122*** | 2X60                | 47.2      | 53.8 | 52.2 |
| 61082-142*** | 2X70                | 55.2      | 61.8 | 60.2 |
| 61082-162*** | 2X80                | 63.2      | 69.8 | 68.2 |
| 61082-182*** | 2X90                | 71.2      | 77.8 | 76.2 |
| 61082-202*** | 2X100               | 79.2      | 85.8 | 84.2 |

DATE CODE: XXXXXX

DAY(01~31)  
MONTH(01~12)  
YEAR(00~99)

DETAIL G



RECEPTACLE 2

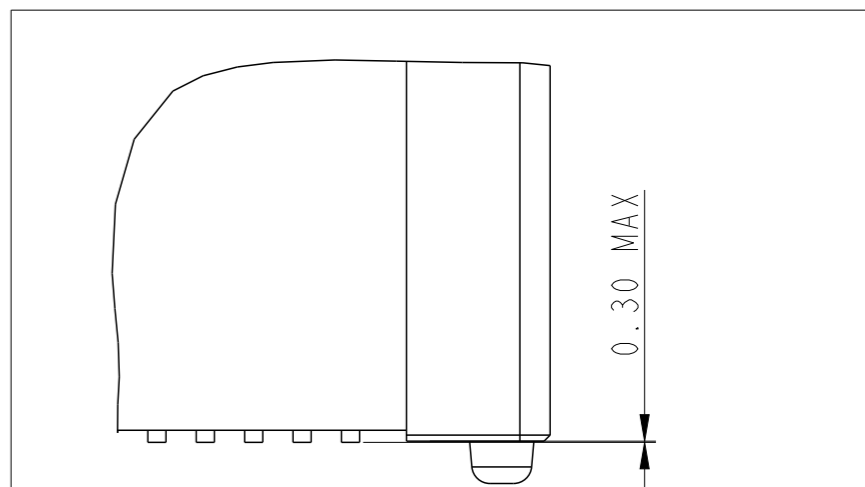
|              |                |                        |                |    |                      |    |        |     |
|--------------|----------------|------------------------|----------------|----|----------------------|----|--------|-----|
| dr           | Cheong, Matthe | 2009/06/10             | projection     | MM | size                 | A3 | scale  | 3:1 |
| eng          | Alan Ni        | 2025/03/18             |                |    | ecn no ELX-N-54701-1 |    |        |     |
| chr          | Li-Qing Lei    | 2025/03/27             |                |    | rel level Released   |    |        |     |
| appr         | Tim Yao        | 2025/03/27             | product family |    |                      |    |        |     |
| Amphenol FCI |                | BERGSTAK 0.8MM         |                |    | dwg no               |    | 61082  |     |
| www.fci.com  |                | RECEPTACLE ASS'Y       |                |    | cat. no.             |    | -      |     |
|              |                | Product - Customer Drw |                |    | sheet 4 of 7         |    | rev AT |     |

| PRODUCT NO.  | NUMBER OF POSITIONS | DIMENSION |      |      |
|--------------|---------------------|-----------|------|------|
|              |                     | A         | B    | C    |
| 61082-023*** | 2X10                | 7.2       | 13.8 | 12.2 |
| 61082-043*** | 2X20                | 15.2      | 21.8 | 20.2 |
| 61082-063*** | 2X30                | 23.2      | 29.8 | 28.2 |
| 61082-083*** | 2X40                | 31.2      | 37.8 | 36.2 |
| 61082-103*** | 2X50                | 39.2      | 45.8 | 44.2 |
| 61082-123*** | 2X60                | 47.2      | 53.8 | 52.2 |
| 61082-143*** | 2X70                | 55.2      | 61.8 | 60.2 |
| 61082-163*** | 2X80                | 63.2      | 69.8 | 68.2 |
| 61082-183*** | 2X90                | 71.2      | 77.8 | 76.2 |
| 61082-203*** | 2X100               | 79.2      | 85.8 | 84.2 |

DATE CODE: XXXXXX

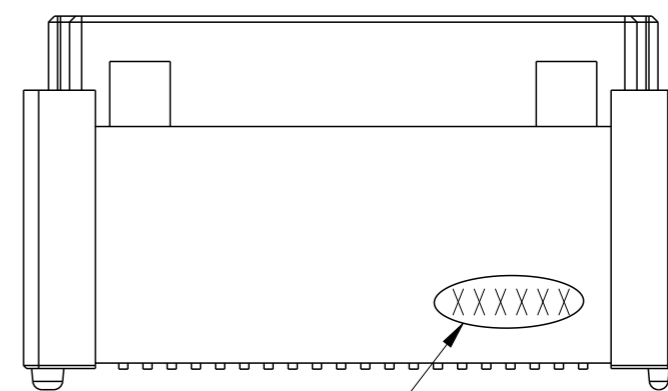
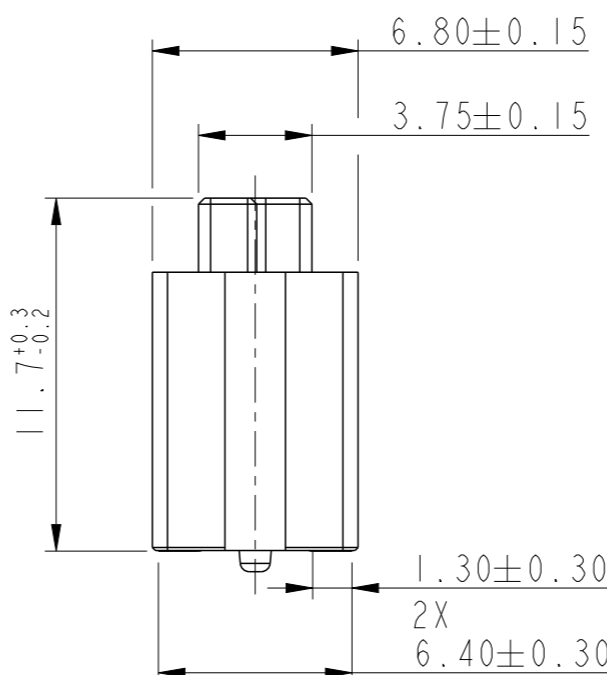
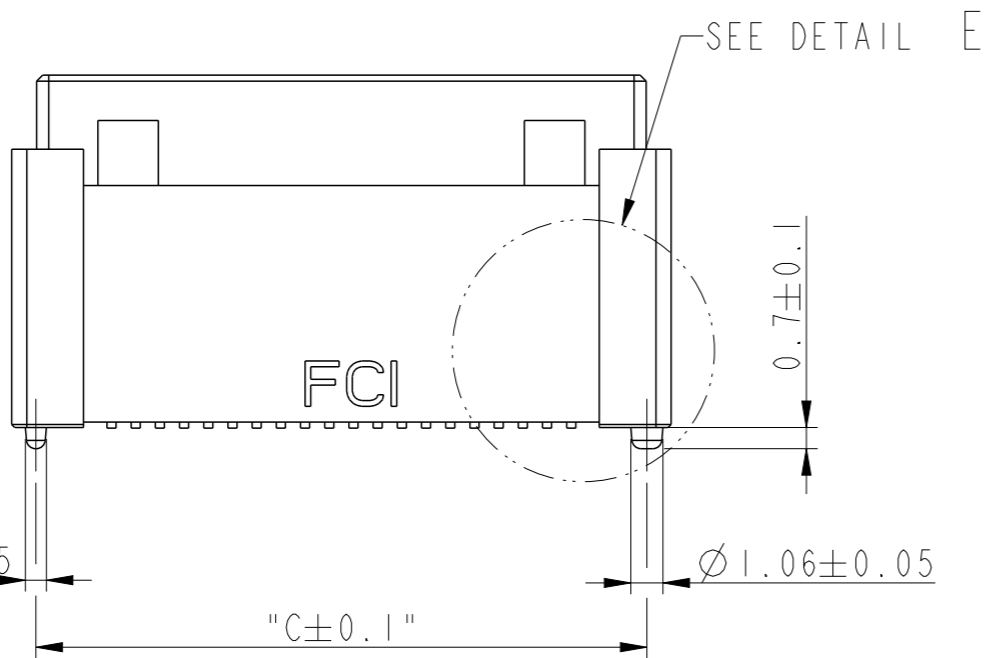
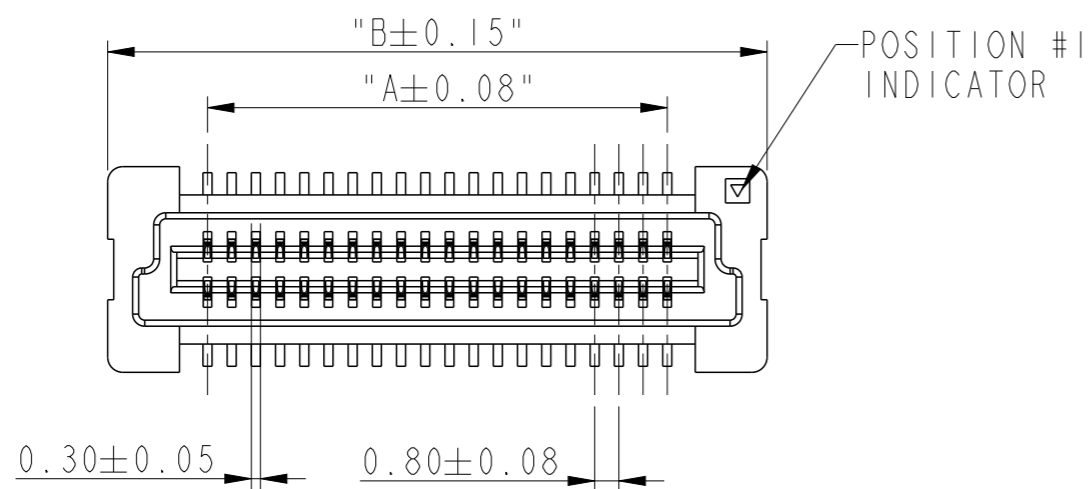
DAY(01~31)  
MONTH(01~12)  
YEAR(00~99)

DETAIL H



COPLANARITY OF TAIL  
0.1 MAX APPLIED TO 2X10 TO 2X70 POS  
0.13 MAX APPLIED TO 2X80 TO 2X100 POS.  
HIGH PRECISION COPLANARITY IS AVAILABLE FOR 2X80 TO 2X100 POS.  
PLS REFER TO PRINT 10069524.

DETAIL E  
SCALE 8:1



SEE DETAIL H

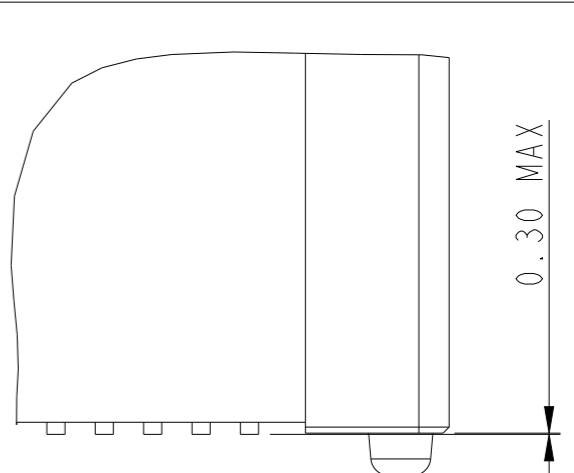
RECEPTACLE 3

|              |                |                        |                |    |                      |    |        |     |
|--------------|----------------|------------------------|----------------|----|----------------------|----|--------|-----|
| dr           | Cheong, Matthe | 2009/06/10             | projection     | MM | size                 | A3 | scale  | 3:1 |
| eng          | Alan Ni        | 2025/03/18             |                |    | ecn no ELX-N-54701-1 |    |        |     |
| chr          | Li-Qing Lei    | 2025/03/27             |                |    | rel level Released   |    |        |     |
| appr         | Tim Yao        | 2025/03/27             | product family |    |                      |    |        |     |
| Amphenol FCI |                | BERGSTAK 0.8MM         |                |    | dwg no               |    | 61082  |     |
| www.fci.com  |                | RECEPTACLE ASS'Y       |                |    | cat. no.             |    | -      |     |
|              |                | Product - Customer Drw |                |    | sheet 5 of 7         |    | rev AT |     |

| PRODUCT NO.  | NUMBER OF POSITIONS | DIMENSION |      |      |
|--------------|---------------------|-----------|------|------|
|              |                     | A         | B    | C    |
| 61082-024*** | 2X10                | 7.2       | 13.8 | 12.2 |
| 61082-044*** | 2X20                | 15.2      | 21.8 | 20.2 |
| 61082-064*** | 2X30                | 23.2      | 29.8 | 28.2 |
| 61082-084*** | 2X40                | 31.2      | 37.8 | 36.2 |
| 61082-104*** | 2X50                | 39.2      | 45.8 | 44.2 |
| 61082-124*** | 2X60                | 47.2      | 53.8 | 52.2 |
| 61082-144*** | 2X70                | 55.2      | 61.8 | 60.2 |
| 61082-164*** | 2X80                | 63.2      | 69.8 | 68.2 |
| 61082-184*** | 2X90                | 71.2      | 77.8 | 76.2 |
| 61082-204*** | 2X100               | 79.2      | 85.8 | 84.2 |

DATE CODE: XXXXXX  
 DAY(01~31)  
 MONTH(01~12)  
 YEAR(00~99)

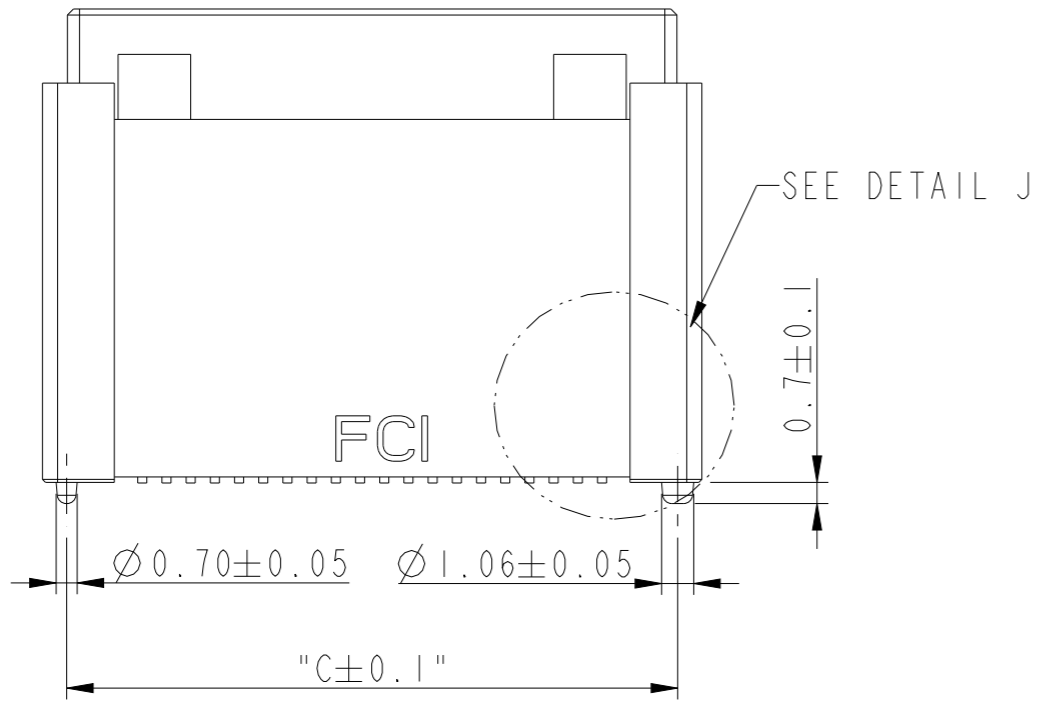
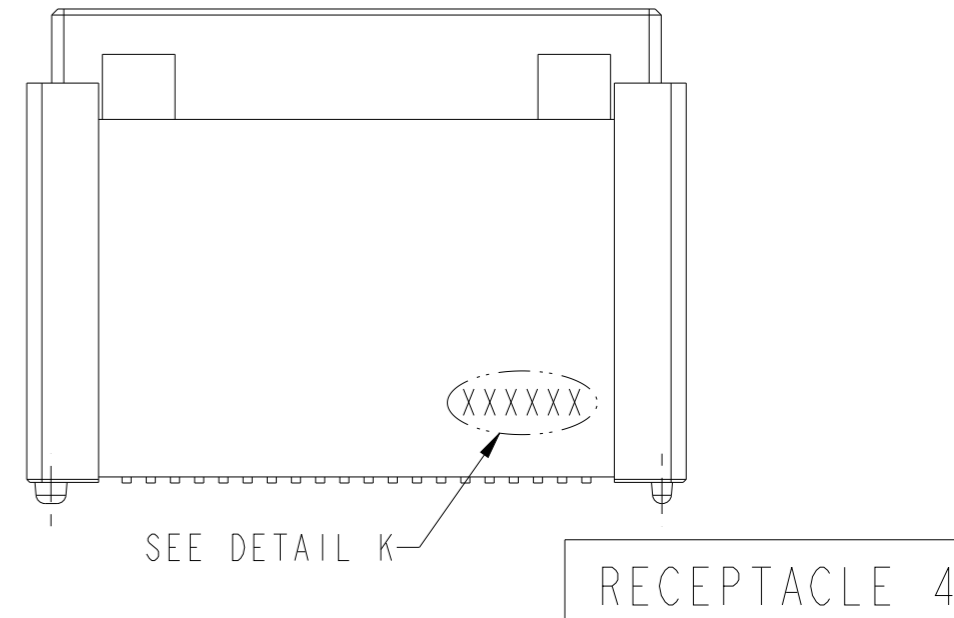
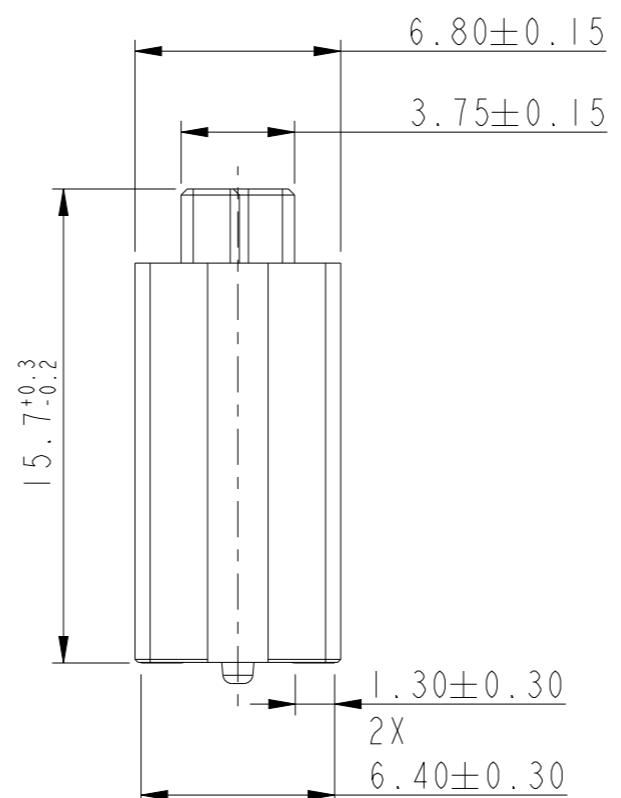
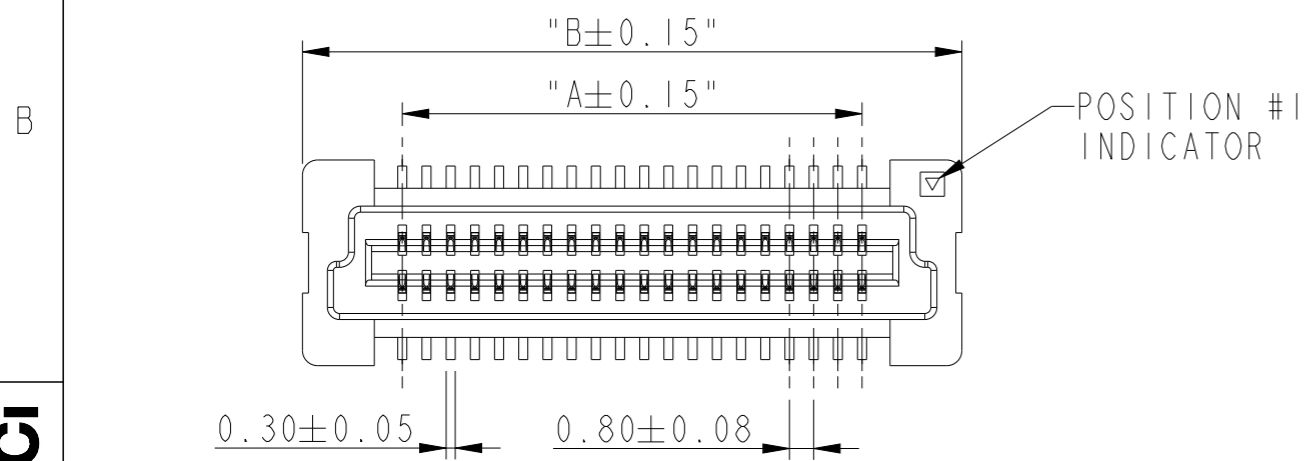
DETAIL K

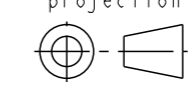



COPLANARITY OF TAIL  
 0.1 MAX APPLIED TO 2X10 TO 2X70 POS  
 0.13 MAX APPLIED TO 2X80 TO 2X100 POS.

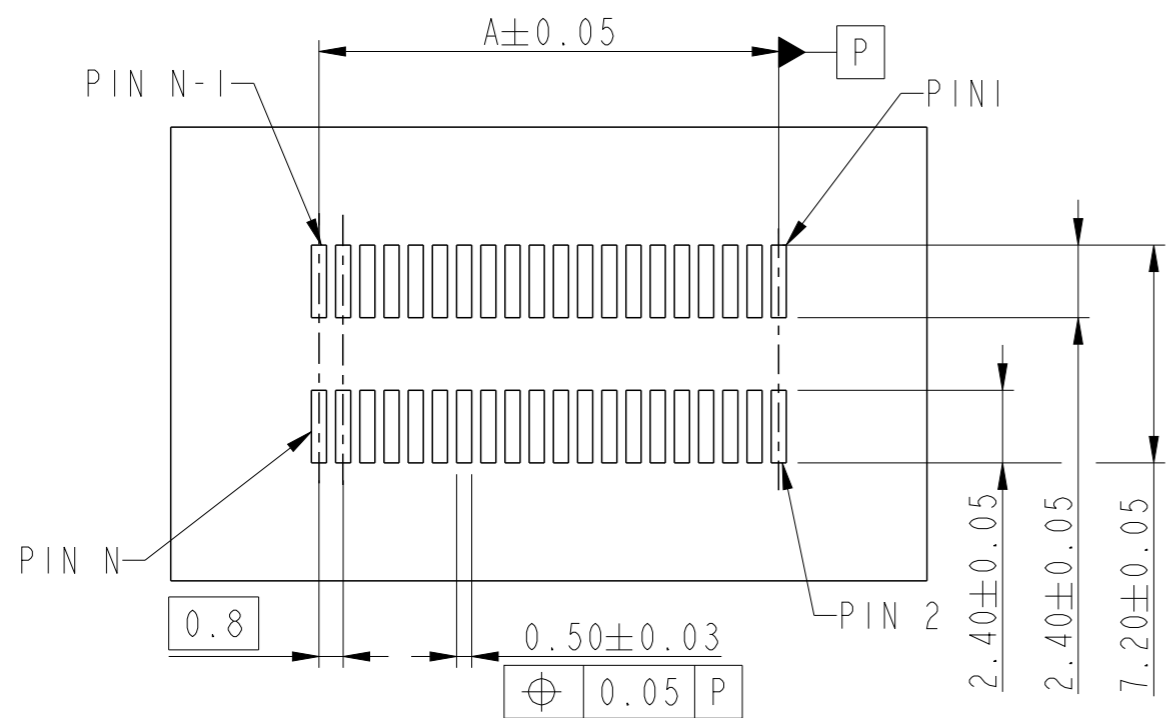
HIGH PRECISION COPLANARITY IS AVAILABLE FOR 2X80 TO 2X100 POS.  
 PLS REFER TO PRINT 10069524.

DETAIL J  
 SCALE 8:1

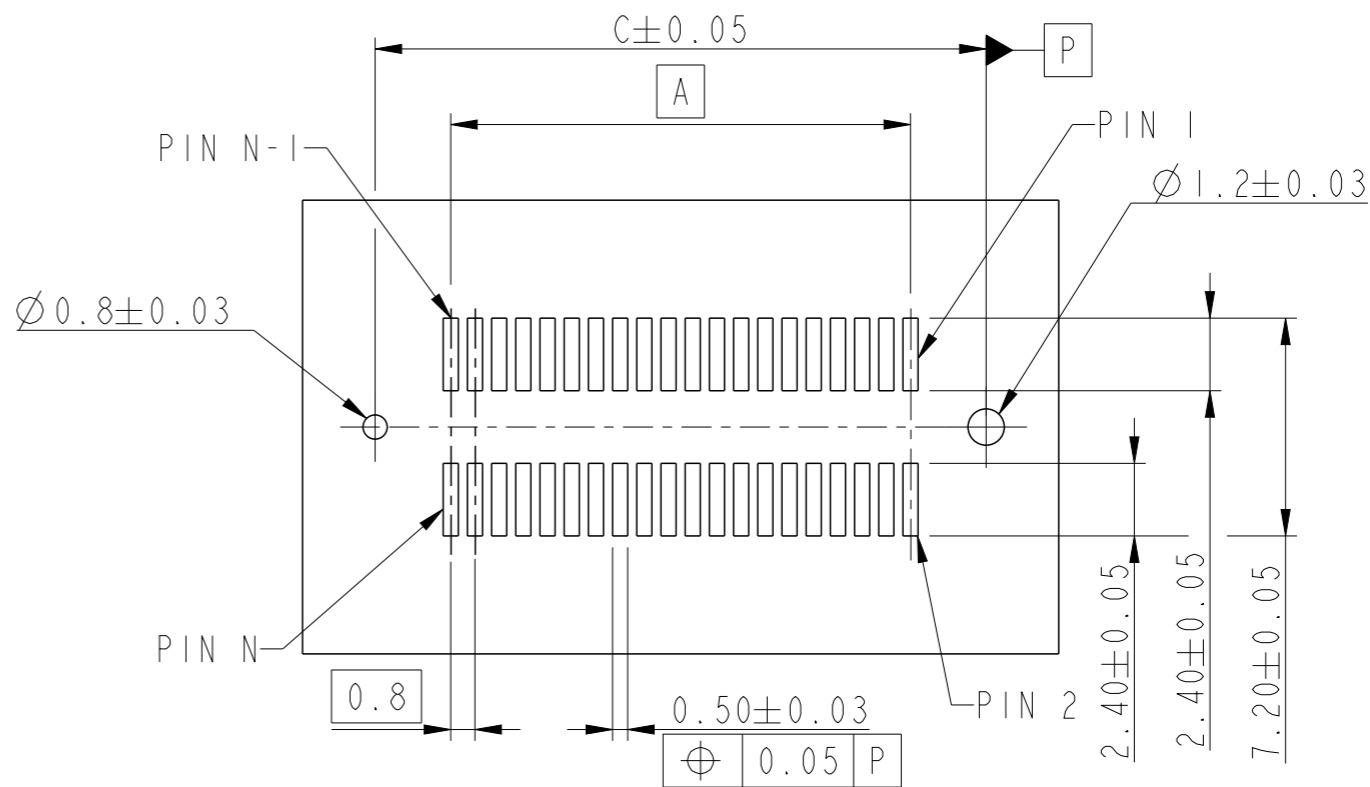


|              |                |                  |   |   |                        |    |              |     |
|--------------|----------------|------------------|---|---|------------------------|----|--------------|-----|
| dr           | Cheong, Matthe | 2009/06/10       | projection  | MM  | size                   | A3 | scale        | 3:1 |
| eng          | Alan Ni        | 2025/03/18       |  |  | ecn no ELX-N-54701-1   |    |              |     |
| chr          | Li-Qing Lei    | 2025/03/27       |   |   | rel level Released     |    |              |     |
| appr         | Tim Yao        | 2025/03/27       | product family  |   | -                      |    |              |     |
| Amphenol FCI |                | BERGSTAK 0.8MM   |   |   | dwg no                 |    | 61082        |     |
| www.fci.com  |                | RECEPTACLE ASS'Y |   |   | rev                    |    | AT           |     |
| cat. no.     |                | -                |   |   | Product - Customer Drw |    | sheet 6 of 7 |     |

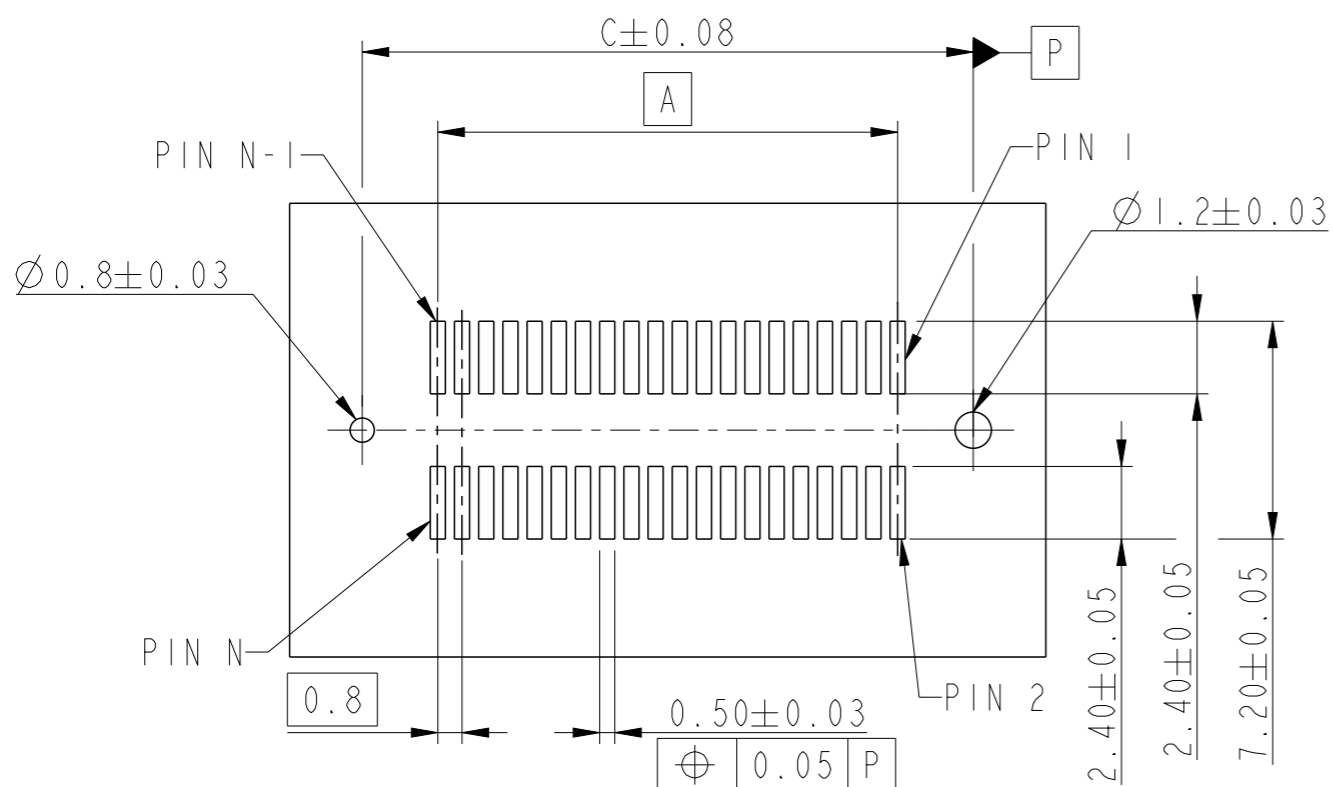
RECEPTACLE 2 & 3 & 4



RECOMMENDED PCB LAYOUT WITHOUT PEGS



RECOMMENDED PCB LAYOUT WITH PEGS  
FOR NO. OF POSITION 2X10, 2X20, 2X30, 2X40, 2X50, 2X60



RECOMMENDED PCB LAYOUT WITH PEGS  
FOR NO. OF POSITION 2X70, 2X80, 2X90, 2X100

|                     |                |                                    |                |    |                        |               |              |     |
|---------------------|----------------|------------------------------------|----------------|----|------------------------|---------------|--------------|-----|
| dr                  | Cheong, Matthe | 2009/06/10                         | projection     | MM | size                   | A3            | scale        | 3:1 |
| eng                 | Alan Ni        | 2025/03/18                         |                |    | ecn no                 | ELX-N-54701-1 |              |     |
| chr                 | Li-Qing Lei    | 2025/03/27                         |                |    | rel level              | Released      |              |     |
| appr                | Tim Yao        | 2025/03/27                         | product family |    |                        |               |              |     |
| <b>Amphenol FCI</b> |                | BERGSTAK 0.8MM<br>RECEPTACLE ASS'Y |                |    | dwg no<br>61082        | rev<br>AT     |              |     |
| www.fci.com         |                | cat. no.                           | -              |    | Product - Customer Drw |               | sheet 7 of 7 |     |