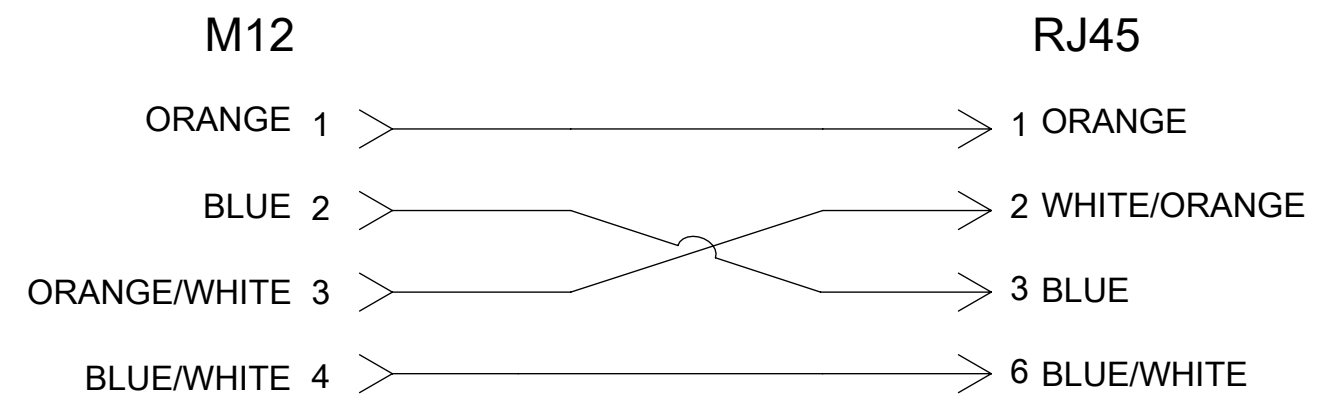


MATERIAL NO.	ENGINEERING NO.	FINISHED LENGTH
1300480205	E16A06002M010	3FT 3.37IN (1M)
1300480022	E16A06002M450	147 FT 7.7 IN (45M)
1300480026	E16A06002M900	295FT 3.30 (90M)

- NOTES:
1. MATERIAL: AS NOTED
 2. FINISH: AS NOTED
 3. ELECTRICAL SPECIFICATIONS
VOLTAGE RATING: 125V
CURRENT RATING: 1.5A
 4. TEMP RANGE: -25°C TO +75°C
 5. PROTECTION: IP67 (WHEN MATED)
 6. UL FILE: E200650 (A2)
 7. ALL DIMS ARE FOR REFERENCE UNLESS TOLERANCED OR NOTED OTHERWISE

WIRING DIAGRAM



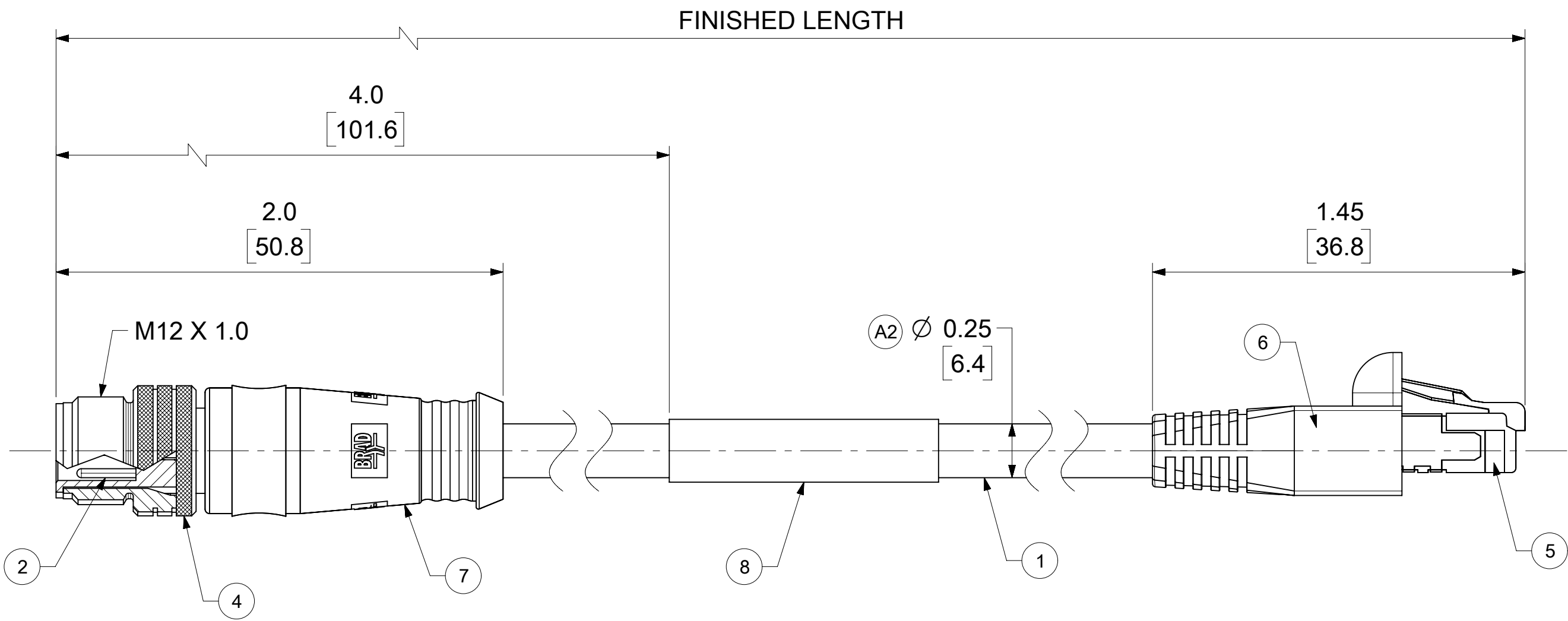
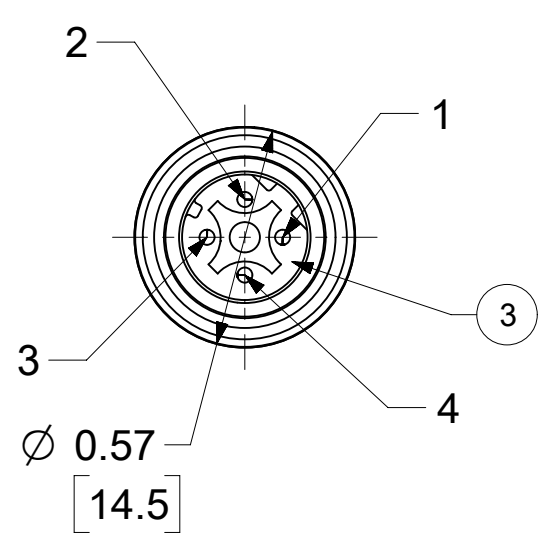
(A2) PART NO. MATRIX
E16A06002M100

FINISHED LENGTH
M005= 0.5 METER
M010= 1 METER
M150= 15 METER

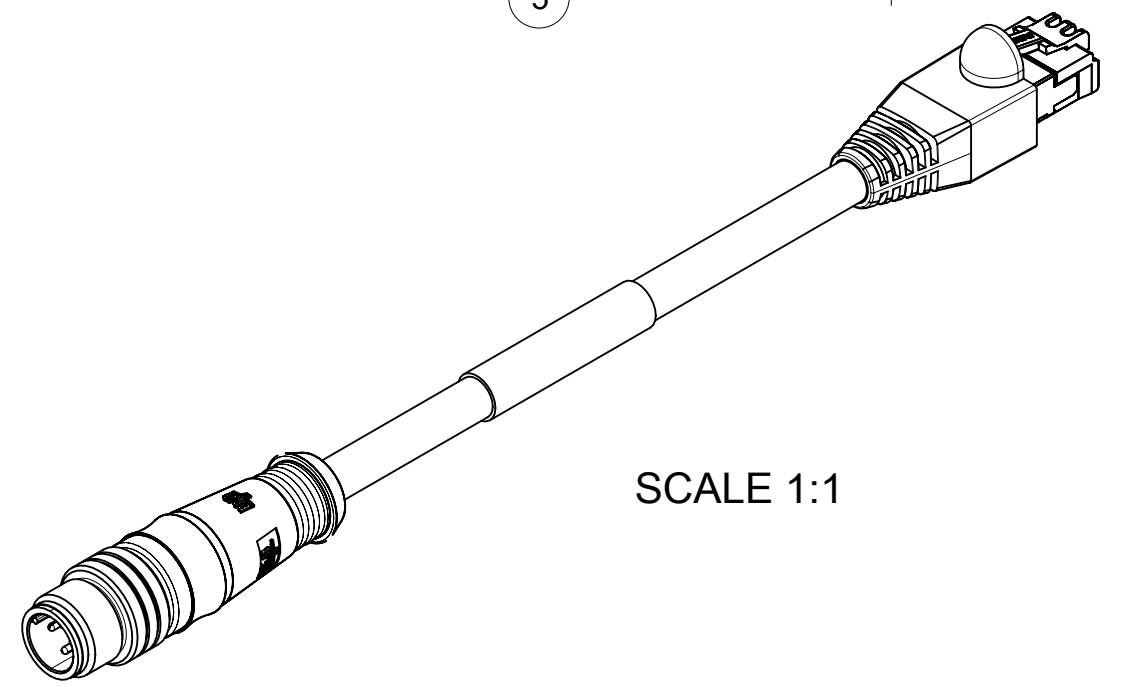
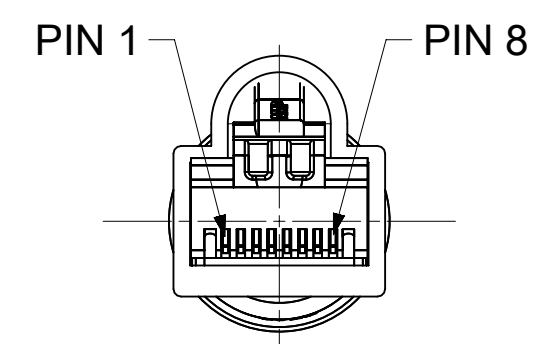
(A2) CABLE LENGTH TOLERANCES

<.3M [1FT]:	+19mm-0 [+.75in-0]
.3 - .9M [1 - 3FT]:	+44.5mm-0 [+1.75in-0]
.9 - 1.8M [3 - 6FT]:	+55.6mm-0 [+2.19in-0]
1.8 - 3.7M [6 - 12FT]:	+88.9mm-0 [+3.50in-0]
3.7 - 7.3M [12 - 24FT]:	+165.1mm-0 [+6.50in-0]
7.3-14.6M [24 - 48FT]:	+317.5mm-0 [+12.50in-0]
14.6 - 30.5M [48-100FT]:	+622.3mm-0 [+24.50in-0]
OVER 30M [100FT]	+2% OF FINISHED LENGTH

M12 4 POLE MALE



RJ45 MALE



SCALE 1:1

8	LABEL	VINYL	BLACK/WHITE
7	OVERMOLD	TPU	BLACK
6	RJ45 BOOT, HOODED	PVC	BLACK
5	RJ45 PLUG	POLYCARBONATE	TRANSPARENT
4	COUPLING NUT M12 MALE	BRASS	NICKEL
3	INSERT D-CODE 4 POLE MALE	PUR	BLACK
2	CONTACT PIN	COPPER ALLOY	GOLD PLATED
1	CABLE, ETHERNET, 24-4	PVC JACKET	TEAL
ITEM	DESCRIPTION	MATERIAL	FINISH

THIS DRAWING CONTAINS INFORMATION THAT IS PROPRIETARY TO MOLEX ELECTRONIC TECHNOLOGIES, LLC AND SHOULD NOT BE USED WITHOUT WRITTEN PERMISSION										
FUNCTIONAL SYMBOLS	DIMENSION UNITS	SCALE	CURRENT REV DESC: ADDED UL, MODIFIED MATERIAL TABLE, TOLERANCE CHART, PART NO. MATRIX & CABLE DIA ADDED.							
$\frac{F}{A} = 0$	INCH/MM	2:1	EC NO: 648668 DRWN: VASUTHKARP 2020/09/24 CHK'D: RSTONE 2020/11/11 APPR: BWOODMAN 2020/11/18 INITIAL REVISION: DRWN: HWALCZAK 2012/04/03 APPR: MDYSZEWSKA 2012/04/16							
GENERAL TOLERANCES (UNLESS SPECIFIED)										
4 PLACES	MM	INCH								
3 PLACES	±	±								
DIVISIONAL SYMBOLS	2 PLACES	±	±	PRODUCT CUSTOMER DRAWING DOCUMENT NUMBER: SD-130048-004 DOC TYPE: PSD DOC PART: 001 REVISION: A2						
1 PLACE	±	±	MATERIAL NUMBER: SEE TABLE CUSTOMER: GENERAL MARKET SHEET NUMBER: 1 OF 1							
0 PLACES	±	±	DRAFT WHERE APPLICABLE MUST REMAIN WITHIN DIMENSIONS THIRD ANGLE PROJECTION DRAWING: C-SIZE SERIES: 130048							
ANGULAR TOL	±	°								

Mouser Electronics

Authorized Distributor

Click to View Pricing, Inventory, Delivery & Lifecycle Information:

Molex:

[1300480205](#) [1300480227](#)